

SMARTCODE™ 914 DEADBOLT FEATURING Z-WAVE® 500 CHIPSET

Model #: 914

Function: Single Cylinder Electronic Deadbolt



Convenience

- 10 digit backlit keypad with one-touch locking
- Motorized locking mechanism enables true remote locking & unlocking
- Tapered deadbolt design permits misaligned doors to lock & unlock with ease
- SmartKey® easy re-key backup keyway
- Interior LED status indicator—Locked/unlocked status & low battery status
- Auto re-lock feature—locks door 30-seconds after unlocking

Security

- 30 user access code capacity, 4-8 digit code length
- MasterCode feature
- 128-bit Advanced Encryption Standard (AES) communication
- Meets BHMA Grade 2 deadbolt operational and security standards
- Drill and pick resistant backup keyway with BumpGuard™ protection
- Incorrect code protection with audible alarm
- Audit trail logging stores access history in the lock memory
- Date/time scheduled user access control

Customizable Features

- Auto re-lock 30-seconds after unlocking - ON/OFF
- Interior LED locked/unlocked status - ON/OFF
- Audible feedback - ON/OFF

Specifications

Electrical:

Input Power 6V (4 x AA alkaline batteries)

Mechanical:

Door Prep	2 1/8" diameter face hole & 1" diameter latch hole
Backset	Adjustable 2 3/8" or 2 3/4"
Door Thickness	1 3/8" - 2" automatic adjustment
Faceplates	1" x 2 1/4" round corner standard
Strikes	Round corner strike 2 3/4" x 2 1/8"
Latch	Round corner adjustable 2 3/8" x 2 3/4"
Bolt	1" throw, steel deadbolt
Door Handing	Reversible
Cylinder	SmartKey Security™

Environmental:

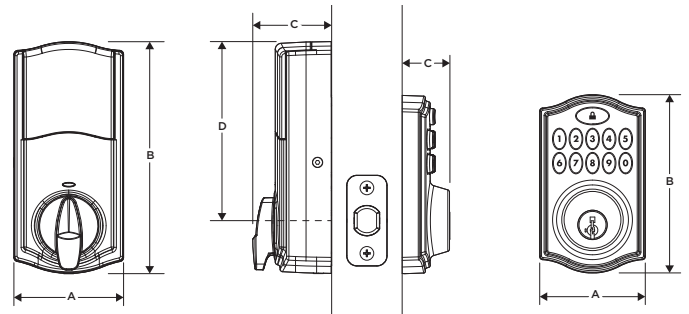
Temperature Range	Exterior: -40°F to 150°F Interior: 32°F to 140°F
Humidity	Exterior: 100% condensing Interior: 30% - 95% non-condensing

SMARTCODE 914
TOUCHPAD ELECTRONIC DEADBOLT
With Z-Wave® 500 Chipset



Wireless Communication

- Z-Wave® wireless technology
- RF Operation: 908.42 MHz (US)
- Range: Typical 65ft line of sight



Design	A	B	C	D
Interior	2 3/4" (69.85 mm)	5 3/4" (146.05 mm)	2" (50.8 mm)	4 7/16" (112.71 mm)
Exterior	2 5/8" (66.68 mm)	4 7/16" (112.71 mm)	1 3/16" (30.163 mm)	---

Command Classes

Supported Command Classes:

- COMMAND_CLASS_MANUFACTURER_SPECIFIC
- COMMAND_CLASS_VERSION
- COMMAND_CLASS_SECURITY
- COMMAND_CLASS_BATTERY
- COMMAND_CLASS_ASSOCIATION
- COMMAND_CLASS_CONFIGURATION
- COMMAND_CLASS_PROTECTION
- COMMAND_CLASS_DOOR_LOCK
- COMMAND_CLASS_USER_CODE
- COMMAND_CLASS_SCHEDULE_ENTRY_LOCK
- COMMAND_CLASS_DOOR_LOGGING
- COMMAND_CLASS_ALARM
- COMMAND_CLASS_TIME_PARAMETERS
- COMMAND_CLASS_BASIC

Lock Initiated Event Notifications:

- Lock secured using cylinder or inside turnpiece
- Lock un-secured using keyed cylinder or inside turnpiece
- Lock auto secured - Bolt jammed (not fully extended)
- Lock auto secured - Successful (fully extended)
- Lock un-secured by user (User-ID) at keypad
- Lock secured by user (User-ID) at keypad
- Lock secured by controller - Bolt jammed (not fully extended)
- Lock secured by controller - Successful (fully extended)
- Lock un-secured by controller - Successful (fully retracted)
- New user code (User-ID#) added to the lock
- All user codes deleted from lock
- Failed user code attempt at keypad
- Attempted access by user (User-ID#) outside of scheduled date/time
- Low battery level
- Critical battery level
- Battery level too low to operate deadbolt